

# Bảng thông số sản phẩm

Thông số kỹ thuật



## discrete output module X80 - 64 outputs - solid state - 24 V DC positive

BMXDDO6402K

### Main

Range of product	Modicon X80
Product or component type	Discrete output module
Discrete output number	64 conforming to EN/IEC 61131-2
Discrete output type	Solid state
Discrete output logic	Positive
Discrete output voltage	24 V 19...30 V DC
Discrete output current	0.1 A

### Complementary

Current per channel	0.125 A
Maximum current per module	6.4 A
Insulation resistance	> 10 MOhm 500 V DC
Power dissipation in W	6.85 W
Response time on output	1.2 ms
Paralleling of outputs	Yes : 3 maximum
Typical current consumption	160 mA at 3.3 V DC
MTBF reliability	159924 H
Protection type	External fuse reverse polarity protection short-circuit protection overload protection overvoltage protection
Output overload protection	With current limiter With electronic circuit breaker $0.125\text{ A} < I_d < 0.185\text{ A}$
Output overvoltage protection	With transil diode
Output short-circuit protection	With 2 A external fuse
Reverse polarity protection	Reverse mounted diode
Voltage detection threshold	< 14 V DC preactuator fault > 18 V DC preactuator at state 0
Switching frequency	0.5/LI <sup>2</sup> Hz
Maximum overload time	15 ms
Load impedance ohmic	$\geq 220\text{ Ohm}$
Status LED	1 LED (green) +32 channels indicator 1 LED (green) module operating (RUN)

1 LED per channel (green) channel diagnostic  
1 LED (red) module error (ERR)  
1 LED (red) module I/O

Net weight 0.15 kg

## Environment

IP degree of protection IP20

Directives 2014/35/EU - low voltage directive  
2014/30/EU - electromagnetic compatibility

Dielectric strength 1500 V AC at 50/60 Hz 1 minute, output/ground  
1500 V AC at 50/60 Hz 1 minute, output/internal logic  
500 V DC 1 minute, between group of channels

Vibration resistance 3 gn

Shock resistance 30 gn

Ambient air temperature for storage -40...85 °C

Ambient air temperature for operation 0...60 °C

Relative humidity 5...95 % at 55 °C without condensation

Operating altitude 0...2000 m  
2000...5000 m with derating factor

## Packing Units

Unit Type of Package 1 PCE

Number of Units in Package 1 1

Package 1 Weight 201.0 g

Package 1 Height 5.45 cm

Package 1 width 10.793 cm

Package 1 Length 11.288 cm

Unit Type of Package 2 S02

Number of Units in Package 2 15

Package 2 Weight 3.5 kg

Package 2 Height 15 cm

Package 2 width 30 cm

Package 2 Length 40 cm

## Offer Sustainability

Sustainable offer status Green Premium product

REACH Regulation [REACH Declaration](#)

REACH free of SVHC Yes

EU RoHS Directive Pro-active compliance (Product out of EU RoHS legal scope)  
[EU RoHS Declaration](#)

Mercury free Yes

RoHS exemption information [Yes](#)

China RoHS Regulation [China RoHS declaration](#)

Environmental Disclosure [Product Environmental Profile](#)

Circularity Profile [End of Life Information](#)

WEEE The product must be disposed on European Union markets following specific waste collection and never end up in rubbish bins

# Contractual warranty

Warranty

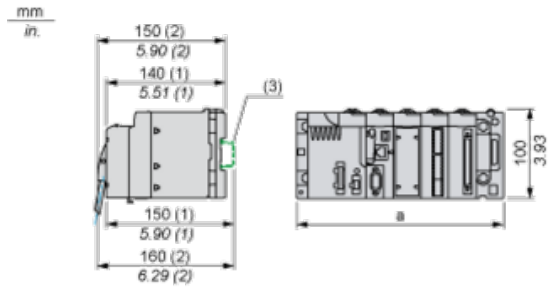
18 months

# Bảng thông số sản phẩm **BMXDDO6402K**

## Dimensions Drawings

### Modules Mounted on Racks

#### Dimensions



(1) With removable terminal block (cage, screw or spring).

(2) With FCN connector.

(3) On AM1 ED rail: 35 mm wide, 15 mm deep. Only possible with BMXXBP0400/0400H/0600/0600H/0800/0800H rack.

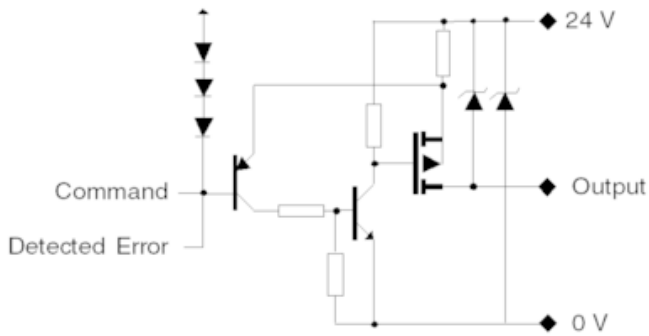
Rack references	a in mm	a in in.
BMXXBP0400 and BMXXBP0400H	242.4	09.54
BMXXBP0600 and BMXXBP0600H	307.6	12.11
BMXXBP0800 and BMXXBP0800H	372.8	14.68
BMXXBP1200 and BMXXBP1200H	503.2	19.81

# Bảng thông số sản phẩm **BMXDDO6402K**

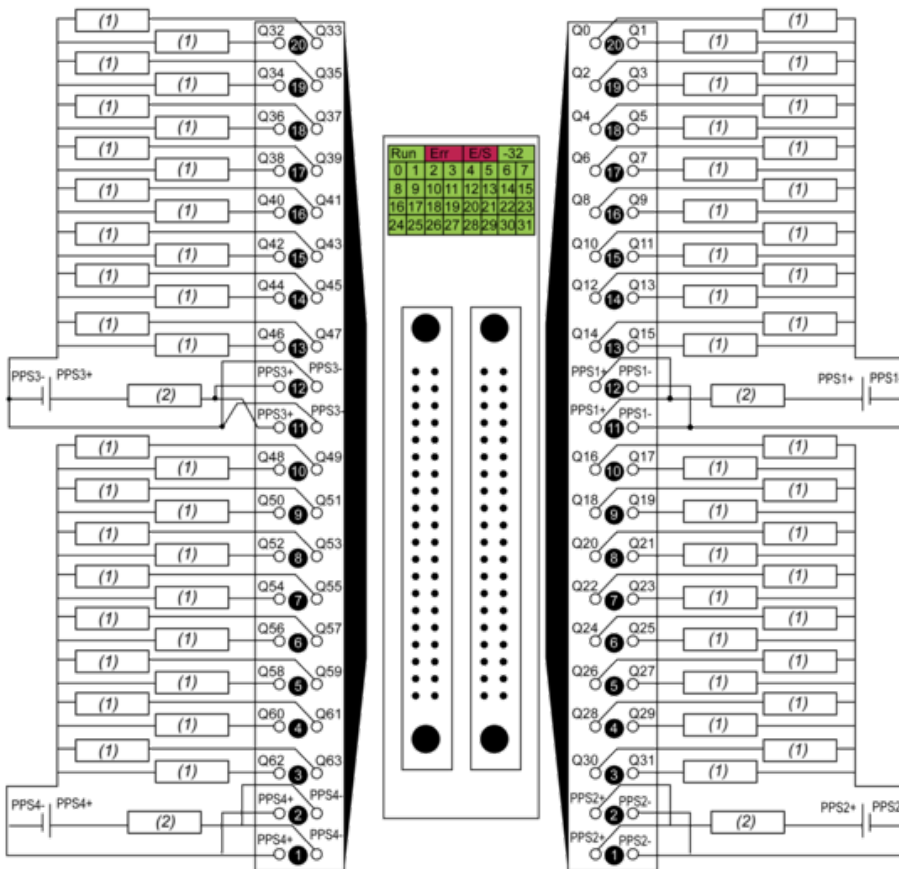
## Connections and Schema

### Connecting the Module

#### Output Circuit Diagram



#### Module Connection



- (1) pre-actuator
  - (2) fuse: fast blow fuse of 2 A for each 16-channel group
- power supply 24 VDC**  
**PPS pre-actuator power supply**