

# Bảng thông số sản phẩm

Thông số kỹ thuật



## discrete output module X80 - 32 outputs - solid state - 24 V DC positive

BMXDDO3202K

### Main

Range of product	Modicon X80
Product or component type	Discrete output module
Discrete output number	32 conforming to EN/IEC 61131-2
Discrete output type	Solid state
Discrete output logic	Positive
Discrete output voltage	24 V 19...30 V DC
Discrete output current	0.1 A

### Complementary

Current per channel	0.125 A
Maximum current per module	3.2 A
Maximum leakage current	0.1 mA at state 0
Maximum voltage drop	<1.5 V at state 1
Insulation resistance	> 10 MOhm 500 V DC
Power dissipation in W	3.6 W
Response time on output	1.2 ms
Paralleling of outputs	Yes : 3 maximum
Typical current consumption	125 mA at 3.3 V DC
MTBF reliability	312254 H
Protection type	External fuse reverse polarity protection short-circuit protection overload protection overvoltage protection
Output overload protection	With current limiter With electronic circuit breaker $0.125 \text{ A} < I_d < 0.185 \text{ A}$
Output overvoltage protection	With transil diode
Output short-circuit protection	With 2 A external fuse
Reverse polarity protection	Reverse mounted diode
Voltage detection threshold	< 14 V DC preactuator fault > 18 V DC preactuator at state 0
Switching frequency	0.5/LI <sup>2</sup> Hz
Maximum overload time	15 ms

Load impedance ohmic	>= 220 Ohm
Status LED	1 LED (green) module operating (RUN) 1 LED per channel (green) channel diagnostic 1 LED (red) module error (ERR) 1 LED (red) module I/O
Net weight	0.11 kg

## Environment

IP degree of protection	IP20
Directives	2014/35/EU - low voltage directive 2014/30/EU - electromagnetic compatibility
Dielectric strength	1500 V AC at 50/60 Hz 1 minute, output/ground 1500 V AC at 50/60 Hz 1 minute, output/internal logic 500 V DC 1 minute, between group of channels
Vibration resistance	3 gn
Shock resistance	30 gn
Ambient air temperature for storage	-40...85 °C
Ambient air temperature for operation	0...60 °C
Relative humidity	5...95 % at 55 °C without condensation
Operating altitude	0...2000 m 2000...5000 m with derating factor

## Packing Units

Unit Type of Package 1	PCE
Number of Units in Package 1	1
Package 1 Weight	151.0 g
Package 1 Height	5.582 cm
Package 1 width	11.161 cm
Package 1 Length	11.758 cm
Unit Type of Package 2	S02
Number of Units in Package 2	15
Package 2 Weight	2.911 kg
Package 2 Height	15 cm
Package 2 width	30 cm
Package 2 Length	40 cm

## Offer Sustainability

Sustainable offer status	Green Premium product
REACH Regulation	<a href="#">REACH Declaration</a>
REACH free of SVHC	Yes
EU RoHS Directive	Pro-active compliance (Product out of EU RoHS legal scope) <a href="#">EU RoHS Declaration</a>
Mercury free	Yes
RoHS exemption information	<a href="#">Yes</a>
China RoHS Regulation	<a href="#">China RoHS declaration</a>
Environmental Disclosure	<a href="#">Product Environmental Profile</a>
Circularity Profile	<a href="#">End of Life Information</a>

---

**WEEE**

The product must be disposed on European Union markets following specific waste collection and never end up in rubbish bins

---

**Contractual warranty**

---

**Warranty**

18 months

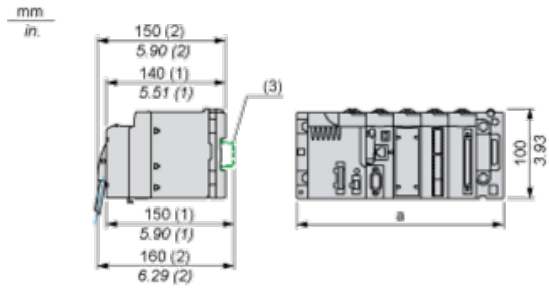
---

# Bảng thông số sản phẩm **BMXDDO3202K**

## Dimensions Drawings

### Modules Mounted on Racks

#### Dimensions



(1) With removable terminal block (cage, screw or spring).

(2) With FCN connector.

(3) On AM1 ED rail: 35 mm wide, 15 mm deep. Only possible with BMXXBP0400/0400H/0600/0600H/0800/0800H rack.

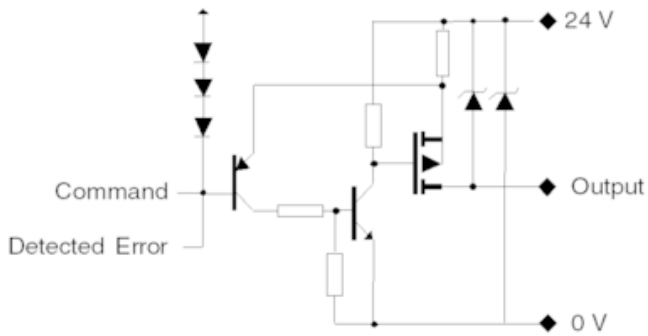
Rack references	a in mm	a in in.
BMXXBP0400 and BMXXBP0400H	242.4	09.54
BMXXBP0600 and BMXXBP0600H	307.6	12.11
BMXXBP0800 and BMXXBP0800H	372.8	14.68
BMXXBP1200 and BMXXBP1200H	503.2	19.81

# Bảng thông số sản phẩm **BMXDDO3202K**

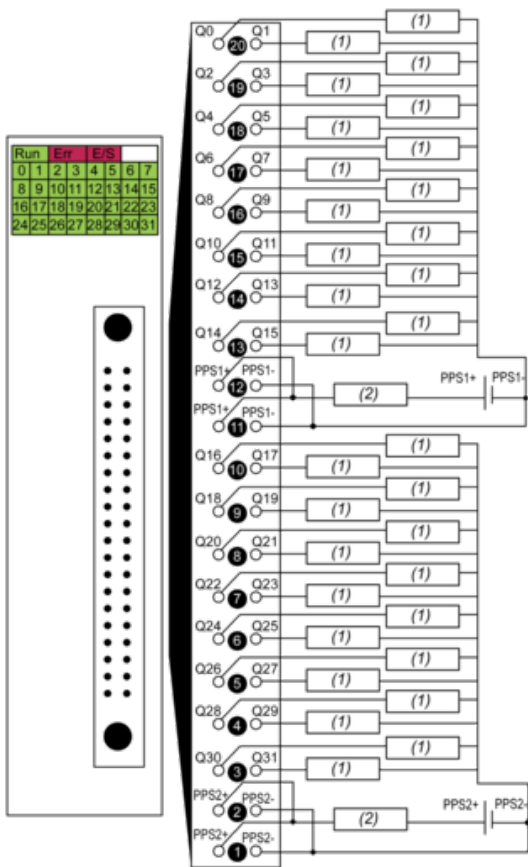
## Connections and Schema

### Connecting the Module

#### Output Circuit Diagram



#### Module Connection



(1) pre-actuator

(2) fuse: fast blow fuse of 2 A for each 16-channel group

power supply 24 VDC

PPS pre-actuator power supply